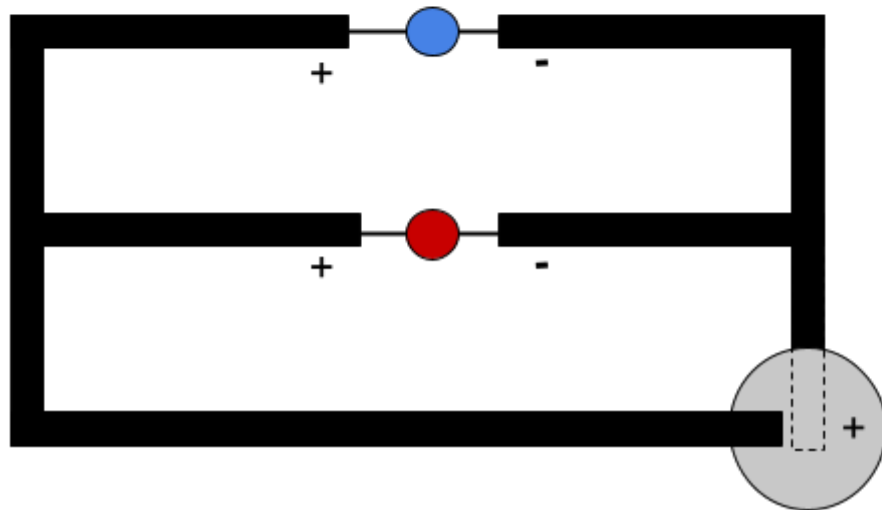
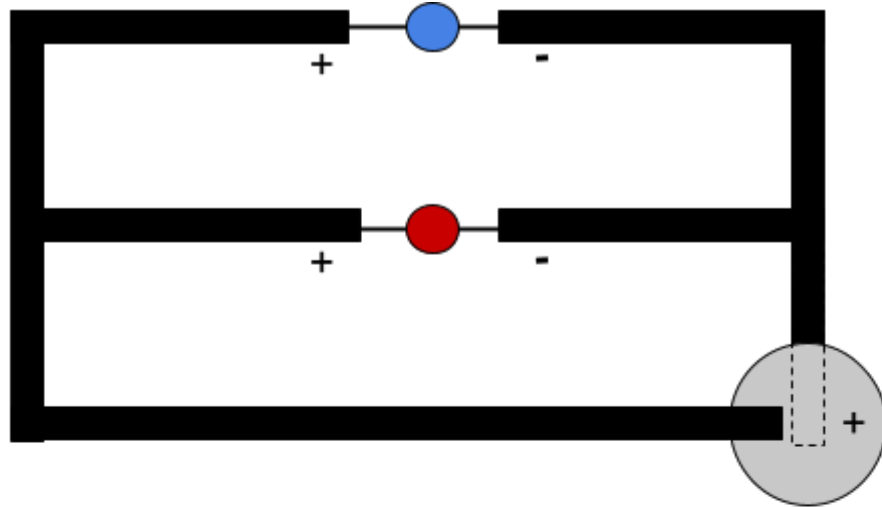


Parallel Circuits



Parallel Circuits